



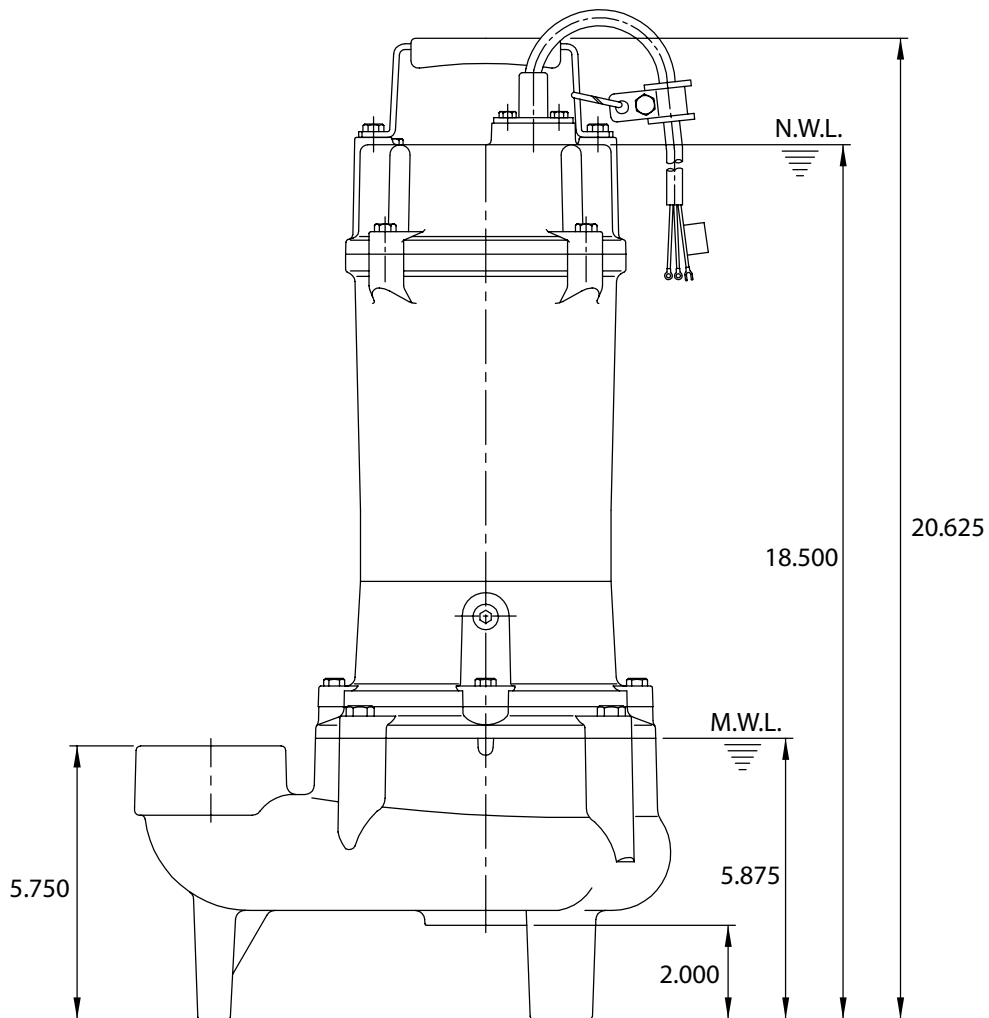
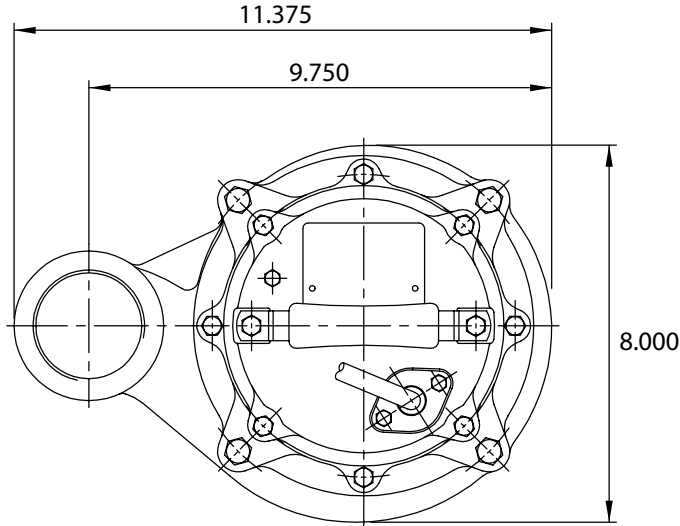
Dimensional Drawing

SNC Models

01/15/2005

SNC-2NV-XX-10

Pump Dimensions



N.W.L.: Normal water level

M.W.L.: Minimum water level

All dimensions are in inches unless otherwise noted.